

OLYSSE

DEBRIS LOADERS, TRUCKLOADERS,
SKID MOUNT LOADERS

PROLINE



Adaptable on the side panel of



Agricultural trailer



Compactor truck, dump truck, tanks

Olysse has been designed to meet the needs of municipal, utility companies that deal with road, highway and park cleaning.



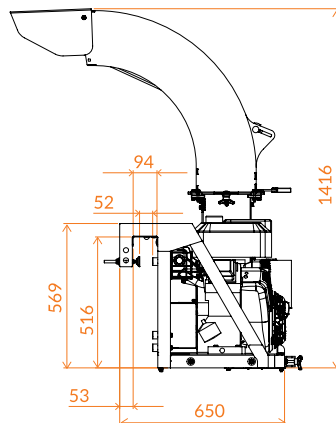
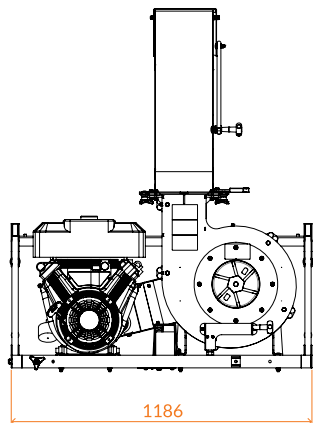
Employers of Agrinova technical office, will assist you on the planning the apply of Vacuum on your truck



www.agrinova-italia.it

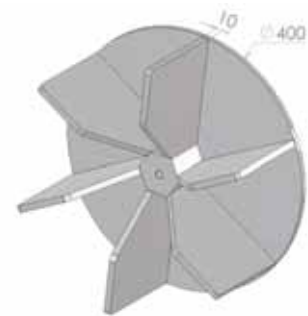
Machines for gardening and cleaning, robust, offering performance and made to last

DIMENSIONS:



IMPELLER:

- \varnothing 400 mm
- 6 blades of 10 mm thickness and 155 mm height



Weight: 170Kg

ENGAGEMENT:

Suitable for many kinds of side (customized on request)



TUBE:

- Lightweight, flexible polyurethane with a coiled, antistatic spiral ramata, antistatico
- Length: 5 mt \varnothing 200 mm
- With ergonomic handle
- Comfortable tube holder



HOUSING:

Steel dual-walled easy to remove



MOTOR:

Powerfull electric-start Briggs & Stratton Vanguard 18 hp engine



DISCHARGE HOSE:

- 360° Swivelling
- adjustable deflector



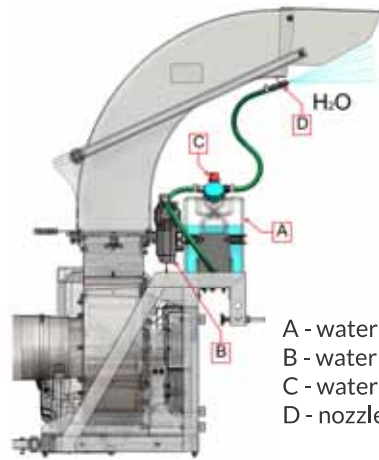
TRANSMISSION:

Double belt transmission and centrifugal clutch



OPTIONALS

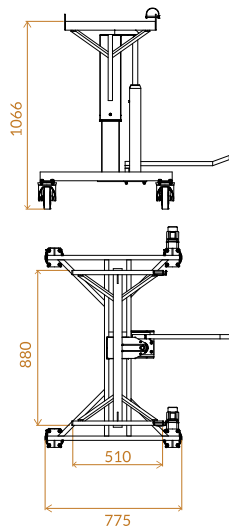
COD. OL1300 - HUMIDIFIER KIT



For dust suppression

- A - water tank
- B - water pump with on/off button
- C - water flow control
- D - nozzle

COD. OL950 - MANUAL HYDRAULIC FORKLIFT



For the lifting and coupling of the side Olysse

ROAD TRAILER



Trailer model of your choice

HOSE HOLDER WITH 2 WHEELS



Code AS8013

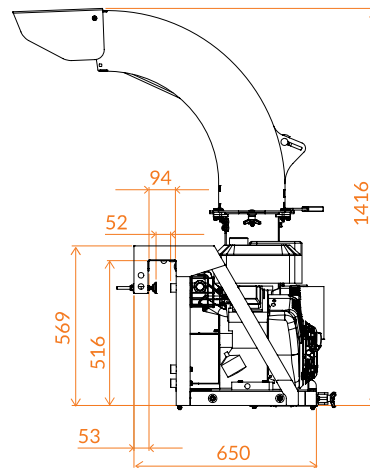
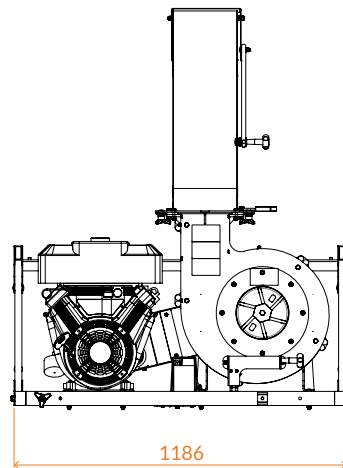
Technical data

OL18

ENGINE	electric-start, commercial-grade 18hp V-Twin Vanguard engine
IMPELLER Ø	400 mm
BLADES	6
IMPELLER THICKNESS	10 mm
STEEL DUAL-WALLED	yes
SAFETY SYSTEM WITH MICRO-SWITCH	yes
HOSE LENGHT	5 m
HOSE Ø	200 mm
DISCHARGE CHUTE	adjustable 360°
HOSE-HOLDER BAR	Yes
WEIGHT	170 kg
TRANSMISSION	double belt transmission and centrifugal clutch

OPTIONAL

KIT HUMIDIFIER	OL1300
MANUAL HYDRAULIC FORKLIFT	OL950
ROAD TRAILER	contact us for information



last update: July 2017



Made in Italy

Address Via XXIV Maggio, 26
35010 Curtarolo (PD) - Italy
Site www.agrinova-italia.it
E-mail agrinova@agrinova-italia.it
Phone +39 049 5742645
Fax +39 049 5742646



CLICK "I LIKE" IN OUR FAN PAGE FACEBOOK "AGRINOVA GARDEN EQUIPMENT"



CONNECT TO "AGRINOVA GARDEN EQUIPMENT" TO SEE THE PRESENTATION OF OUR PRODUCTS