

POWER RAKES JEREMY

FOR
TRACTOR
70 cm

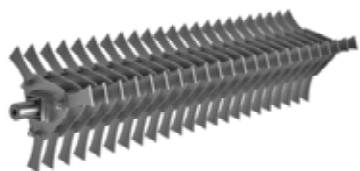


Made in Italy

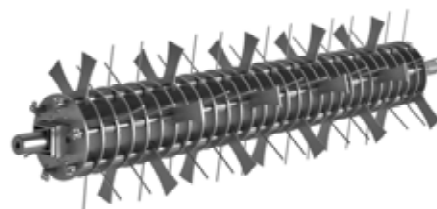
PROLINE



COMPOSED THE POWER RAKE SUITABLE FOR YOUR LAWN



MOVABLE KNIVES



SPRING & KNIVES



LONG LASTING BLADE with anti-wear thermal treatment



Gardening and cleaning machines, handlers and made to last in time

The details make the difference of Agrinova machines

- The metal thickness of the shell
- The types of bearings
- The type of belts
- The type of steel chosen to produce the cutting knives
- Heat treatments to make them as strong and sharp as long as possible and the wide range of types of machines, to meet the specific needs of the lawn to care.

Agrinova knows that every lawn is different and should be treated according to its needs, so the scarifiers that it produce offer a wide variety of cutting systems.

The know-how gained over many years of experience and comparison with the gardening sector experts led to the development of different working systems, which allow us to treat with maximum efficiency any kind of lawn.



WORK SYSTEMS



ROTOR SHAFT WITH MOVABLE/FIXED KNIVES

Choice of blade thickness



2,5 mm

(as standard)



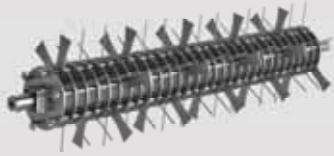
1,2 mm

(on demand) for blade step
30 mm or 40 mm

System that allow:

- Verticutting: Performs a number of cuts on the ground up to a recommended depth of up to 3 cm, but suggest maximum 0,5 cm

- Removing the moss by touching the ground
- This system is referred floating because even if the impact blades against some of the typical gardens obstacle (superficial roots of plants, heads of sprinklers, curbs, etc ..) Will not be damaged, because they rotate on their own center and return to their working position thanks to centrifugal force rising from rotation at 3000 rpm).

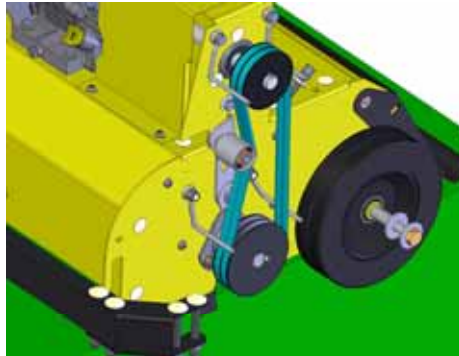


ROTOR WITH SPRING & KNIVES



Often on the meadow there are accumulations of moss and felt, due to the stagnation of water, to the constant presence left to the ground, using the mulching system. Before brushing the grass roots and the first layer of soil, it is necessary to clean the felt sheet. You must comb the grass layer with soft tips such as those of a spring. However, as a result of a high-speed operation, with considerable power provided by the engine, it is necessary to give stiffness to the cutting system by intercepting springs with moving knives. This prevents the system from pushing too much on the springs of the springs avoiding the resulting breakage. This type of cutting system requires little power to the engine and must be made at the lowest possible speeds.

CONSTRUCTIVE DETAILS



Double belt drive.



The CENTRAL position of the engine, allows an excellent weigh balance.



2 pivoting front wheels in solid rubber with sheet metal rims.



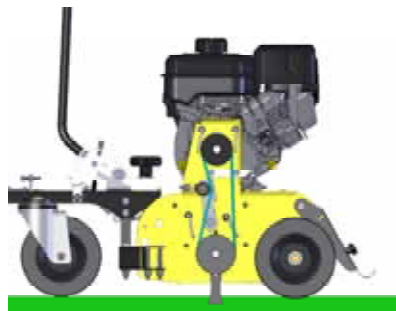
2 rubber wheels diametre 200 with metals rims.



The cutting system is supported by two high quality.



Lifting handel and automatic starting of cutting system.



Belts in working position.



Belts in rest position.

MODEL	JU70B2-T
WORKING WIDTH	70cm
ENGINE	Briggs & Stratton serie 950
WEIGHT KG	68
BEARINGS	2 ball bearings with cast iron support
TRANSMISSION	with 2 belts
WHEELS	2 fix + 2 frontal pivoting
STANDARD WORKING SYSTEM	Shaft movable knives 2.5 mm (step 40) 48 knives - Cod AC700
OPTIONAL CUTTING SYSTEM	Shaft spring & knives (nr 21 knives + 44 springs) - Cod AL71

