

To add on choosed Zakandra model

NOT HOMOLOGATED STREET CHASSIS

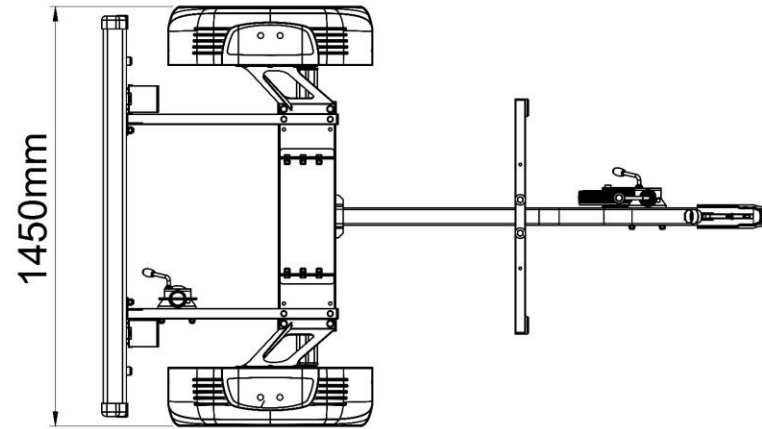
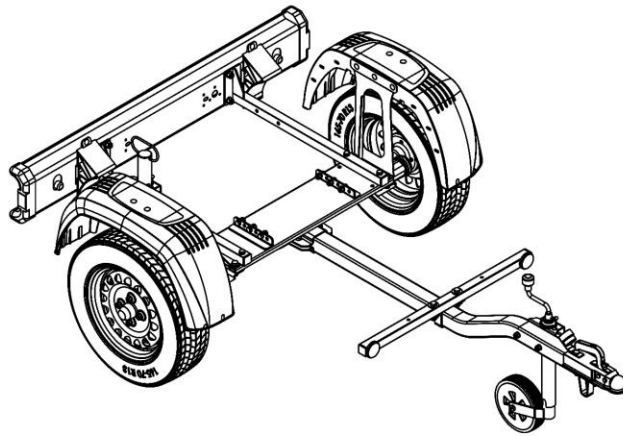
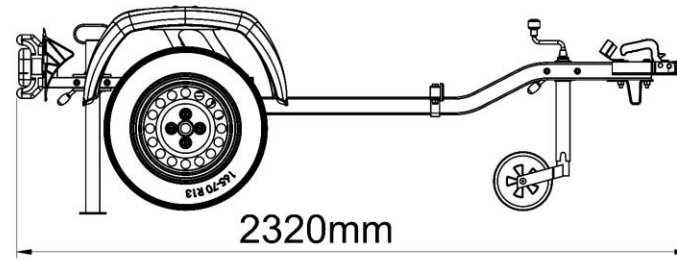
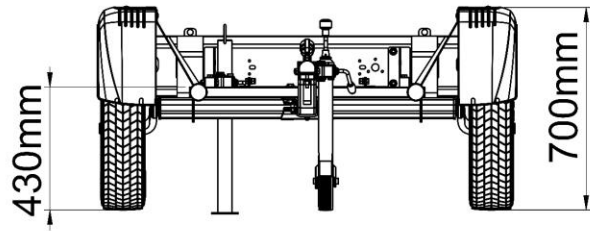


We ♥ garden



Photo : ZA350-B with not homologated street chassis

Ed. Ottobre 2020



- Components Made in Europe (single axle, independent wheel suspension, coupling with automatic lock, correct insertion warning light and wear indicator, pivoting operating telescopic wheel, single beam drawbar with fixed height).
- Unbraked - with locking wedges
- Radial tyres 165/70 R 13" (other sizes available).
- Electrical system 12V according to the Highway Code, with rear light units 5 functions.
- Wheel covers in black polymer material.
- Max load capacity 600 kg.
- Rear stabilizer foot