

To add on choosed Zakandra model

HOMOLOGATED STREET CHASSIS FOR ITALIAN PLATE REGISTRATION

(on platform)

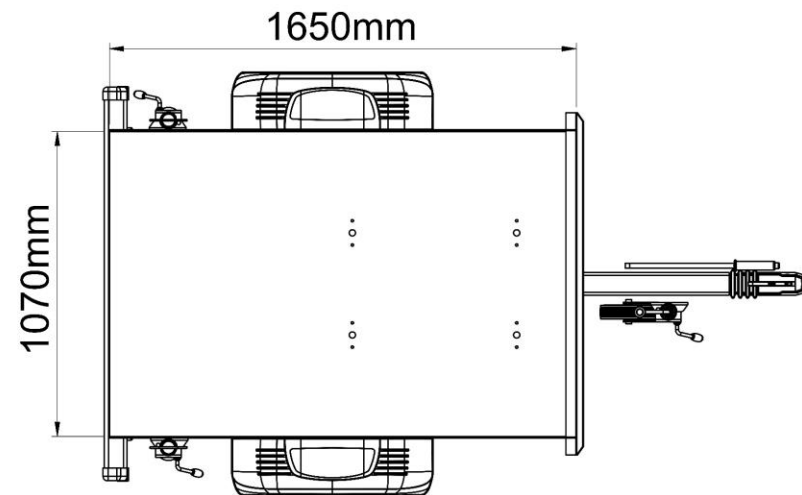
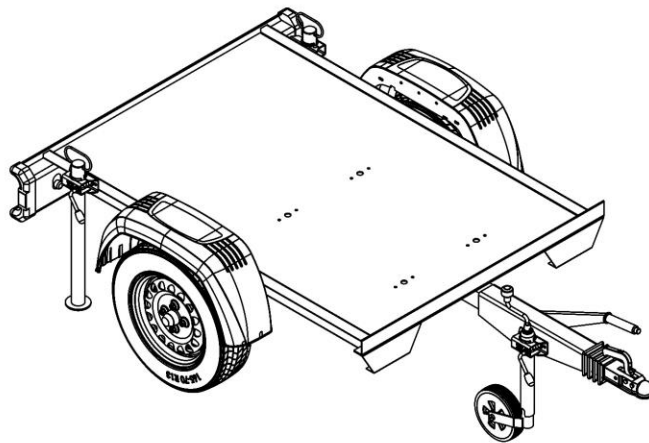
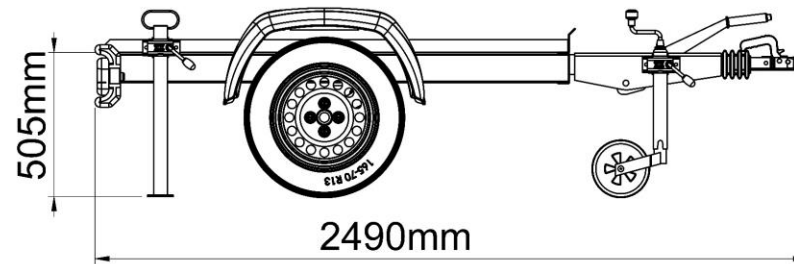
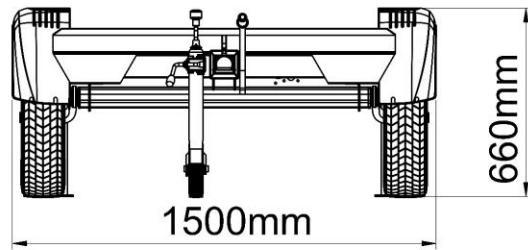


We ♥ garden



Agrinova supply the COC certificate for the plate registration as required by Italian highway code

Photo : ZA350-B with platform street chassis



- Frame in hot-dip galvanized steel, aluminium floor, Made in Italy (single axis, suspension with independent wheels, Inertia brake and parking brake with gas spring servo-assisted lever, joint with automatic lock, indicator for correct insertion and wear indicator, telescopic pivoting operating wheel, single beam drawbar at fixed height)
- Radial tyres 155/70 R 13" (other sizes available)
- Electrical system 12V according to the Highway Code, with rear light units 5 functions.
- Aluminium shelf in almond coated aluminium in lowered configuration (outer wheels) with wheel covers in polymeric material
- Useful dimensions load shelf mm 1650x1070, tare approximately 140 kg, total mass 600 kg.
- Two rear stabilizer feet
- Supplied with a Certificate of Conformity (Italian approval) as a trailer for transporting goods.