



TRACKED HYDRAULIC CHIPPERS ZAKANDRA



12 cm
mx cutting



Also for fibrous
material, such as
palm trees

The main feature of Zakandra wood chipper is the ability to cut any type of plant residue, dry or wet, up to a maximum diameter of 12 cm.

Zakandra offers the possibility of entering agricultural, wooded areas and easily overcome the slopes.

A solid well-designed machine to last in time



www.agrinova-italia.it





Ideal for hire

RENTAL FEATURES

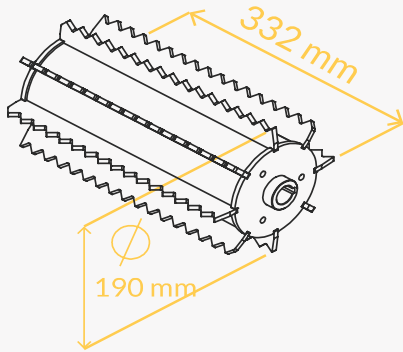
- For easy move on areas with difficult access, soft ground conditions, or uneven and sloping ground.
- Ease of loading and unloading.
- A single motor to drive track and chipper to obtain: stability, movement and guide sensitivity, low center of gravity, lower fuel consumption, and reduced maintenance.
- Hydraulically driven crawler with speeds up to 2.5 km/h.
- Low weight: 550 kg.
- Speed regulation and inversion of the feed roller by means of electric drives and controls.
- Folding hopper in two positions to facilitate maneuvering and reduce obstruction.
- Possibility of shredding wood and palm pruning.
- Safety check of the inclination of the machine with LUMINOUS alarm and sound.
- Zakandra is designed to shred quickly and easily. It can be easily moved and it is possible to reach the point where the prunings were deposited without difficulty.
- Zakandra has been designed to last over time and in an easy to maintain perspective: FACT only a few components are subject to wear.



Zakandra is therefore an extremely versatile machine which can smoothly grind freshly cut branches with leaves, dry branches, logs, leaves, straw, palm trees, grapes stalks, etc.

FEATURES

HYDRAULIC INFEED ROLLER



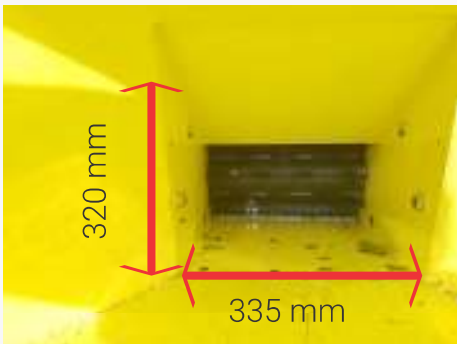
Hydraulic infeed roller

It is a 190 mm diameter toothed steel roller with adjustable speed and rotation direction; it is placed inside the hopper and carries every kind of vegetable waste automatically towards the cutting system.



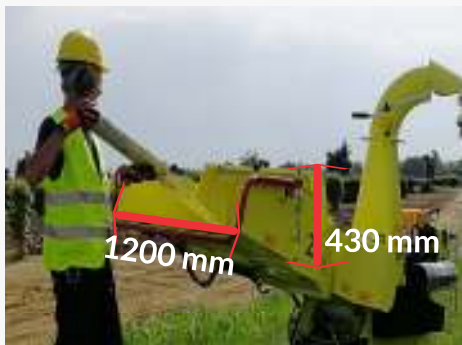
Drum cutting system

It is a cylindrical cutting system equipped with 2 parallel rows of blades (2 blades in each row). This system is perfect for cutting any kind of vegetable waste, even fibrous materials like palm trees. Thanks to the sieving grid this technology guarantees the production of high quality chips that can be used like biomass solid fuel.



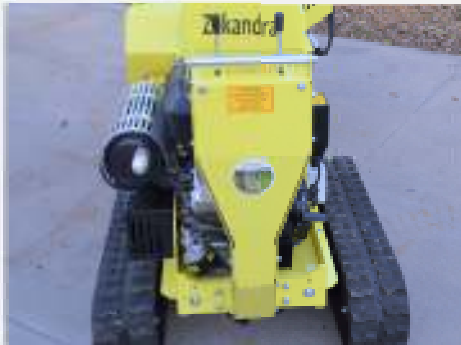
Wide hopper

The hopper remains large even at the cutting point, so that the machine is able to shred particularly leafy materials, such as olive trees pruning, avoiding blockages and allowing grinding of large quantities of material for each load. This leads to a significant reduction of working times. The infeed hopper is produced in a standard version that measures 69 cm in width and 55 cm in height.



Loading hoppe

Width: 1200 mm. Height: 430 mm.



Track width track

Length: 1050 mm.

Raised: 900 mm.



No Stress device

It is an electronic device that automatically adjust the hydraulic roller, helping and simplifying its operation. Thereby the machine increases the life of the engine by preventing overloads and sudden interruptions. The Agrinova ANTI-STRESS control is an electronic device that automatically adjusts the operation of the hydraulic feed roller aiding and simplifying the work with the machine, thereby, increasing the life of the engine and machine in general by preventing overloads and blocks sudden.



Controls

Two levers placed on the control console allow the control of the two tracks.



Adjustable discharge curve

The discharge curve of the Zakandra chipper is characterized by the possibility of being rotated 360° thus allowing to direct the jet of shredded without having to move the body of the machine. The discharge curve reaches a height of 192 cm from the ground.



Optional for discharge curve

Extension that allows the drain to be raised by 23 cm (up to a total height of 2.15 m).



Exhaust-clogging system

Zakandra features a considerable size of the exhaust system that is maintained large for all its extension, thus avoiding bottlenecks of the material in the outlet.

Thanks also to the large volume of air generated by the rotation of the cutting system, the machine is able to easily download almost all types of shredded material even if particularly wet or leafy, minimizing or eliminating the clogging and the machine stops.



Easy access to the cutting chamber

The Zakandra chipper was designed so that it can be accessed very easily and quickly but always in strict compliance with safety regulations, to all those parts that normally require maintenance, in particular the cutting system and to the transmission mechanisms and to monitor how the machine is working.



Feed roller speed adjustment

Changeover of the feed roller by means of electric drives and controls.



Speed regulation

Inversion of the feed roller by means of electric drives and controls.



Tilt control

Zakandra It can have a LUMINOUS sound alarm that is activated when dangerous inclinations are reached for the stability of the machine both longitudinally and transversally.



Sieve for chip measure regulation

Zakandra can be equipped with particular sieves that allows to graduate the shredded output in order to obtain chips of an ideal size for the purposes of supply of many Biomass Heating Systems.



Sieves for wood chips production for boiler feeding (Optional)

Two sieve models are available. One with a 20 mm slit, the other with a 25 mm slit, to obtain the most suitable chip size for your boiler.



Palm pruning:

Zakandra is the ideal machine also for palm pruning and other particularly fibrous material.



PACKAGING ZAKANDRA

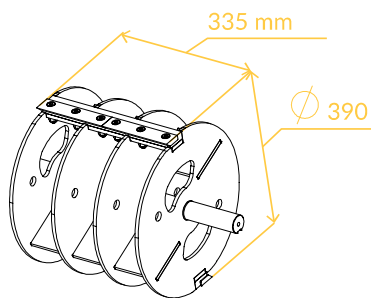
- 1 box over 1 wooden pallet:
175x105x172 cm

Space management:

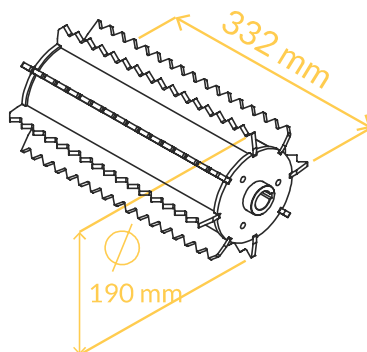
Zakandra has been designed taking into account the need to occupy as little space as possible, both in vans, during transport, and in storage areas. Hopper and unloading are in fact folded in multiple positions.

TECHNICAL DETAILS TRACKS VERSIONE

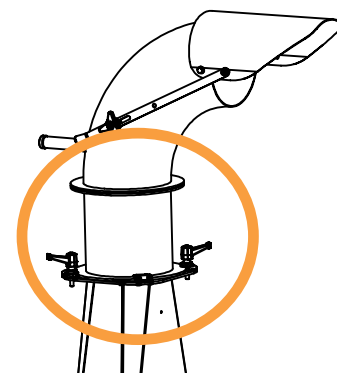
DRUM CUTTING SYSTEM



HYDRAULIC FEEDING ROLLER

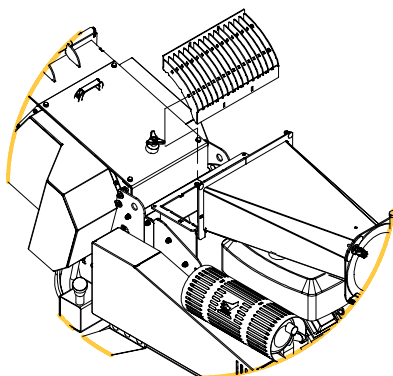


RAISED DISCHARGE CURVE (OPTIONAL)

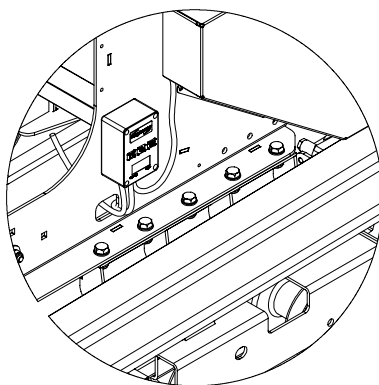


Extension that increases the height of unloading code B41892

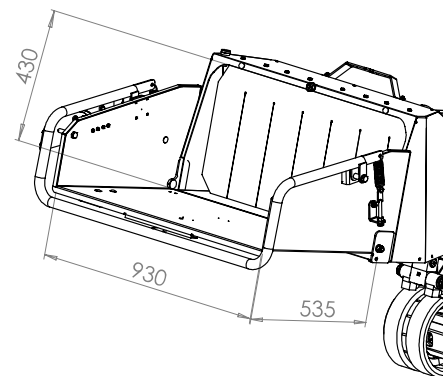
SIEVE (OPTIONAL)



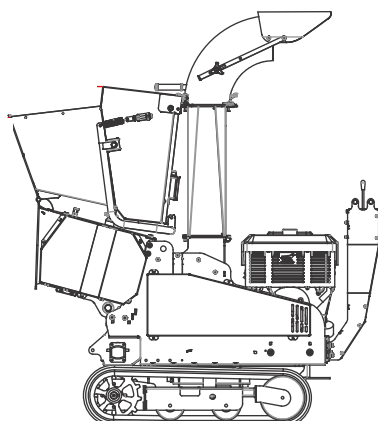
NO-STRESS SYSTEM WITH COUNTER



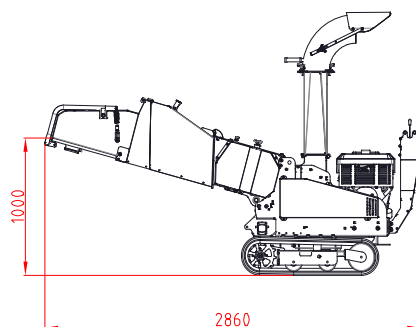
WIDE INFEED HOPPER



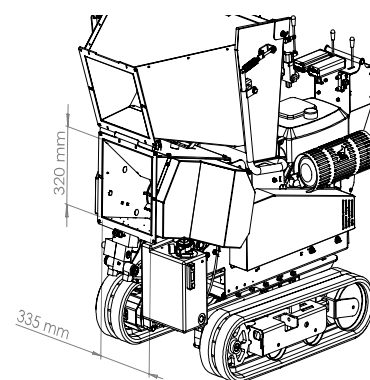
TRANSPORT WIDE INFEED HOPPER CONFIGURATION



HEIGHT HOPPER TO GROUND



WIDE INFEED HOPPER ON CUTTING AREA



TECHNICAL DETAILS



ZA350-B2-AS-TL1-C

Max chippable diameter	120 mm
Engine	B&S Vanguard 23 HP, V-Twin, gasoline
Engine start system	Electric
Engine cooling	Air
Gasoline tank	Intergrated, 8,5 Liters
Hydraulic tank	With filter and manometer, 12 Liters
Anti-stress system	Yes, with hour meter
Engine-chipping drum transmission	Double belt with centrifugal clutch
Chipping system	Drum rotor, 2+2 knives + fixed counterknife
Knife type	Core hardened steel
Chippin system width	335 mm
Feeding roller	Hydraulic driven, 190 mm diameter
Hopper dimensions at chipping point	335 mm x 270 mm
Hopper dimensions	960 mm x 425 mm
Discharge type	360° movable discharge curve
Moving system	On track, hydraulic driven
Track width	900 mm
Track lenght	1050 mm
Weight	About 550 Kg
Working dimensions	2900 mm X 1090 mm H 1960 mm
Temporary moving dimensions	2400 mm X 1090 mm H 1960 mm
Transport dimensions	1750 mm X 1090 mm H 1960 mm

OPTIONAL

Sieve	Yes, 25mm wide
Raised discharge curve	Yes

Catalog updated on 12-04-2019



Made in Italy

Address Via XXIV Maggio, 26
35010 Curtarolo (PD) - Italy
Site www.agrinova-italia.it
E-mail agrinova@agrinova-italia.it
Phone +39 049 5742645
Fax +39 049 5742646



CLICK "I LIKE " IN OUR FAN PAGE FACEBOOK "AGRINOVA GARDEN EQUIPMENT"



CONNECT TO "AGRINOVA GARDEN EQUIPMENT" TO SEE THE PRESENTATION OF OUR PRODUCTS